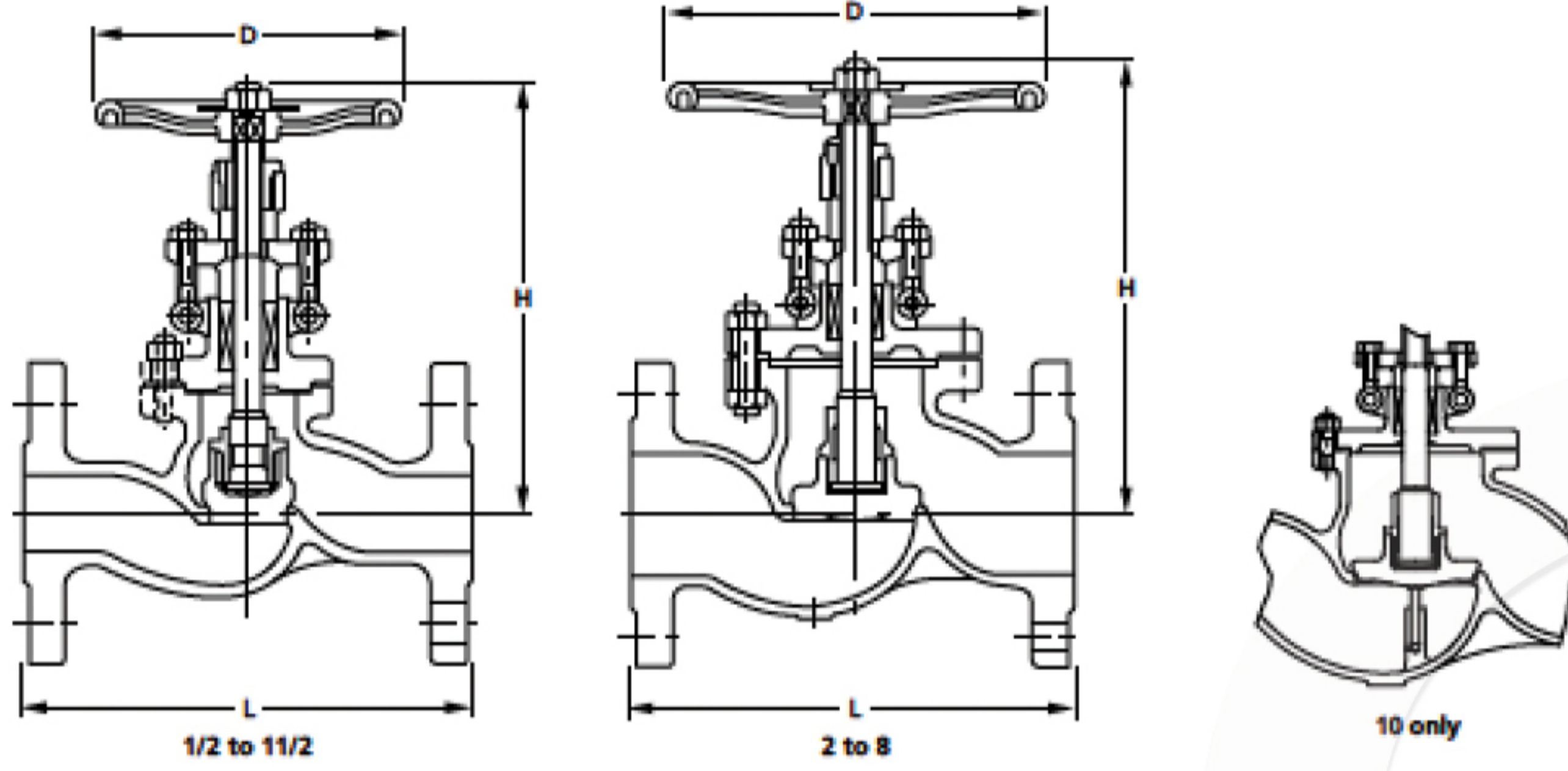
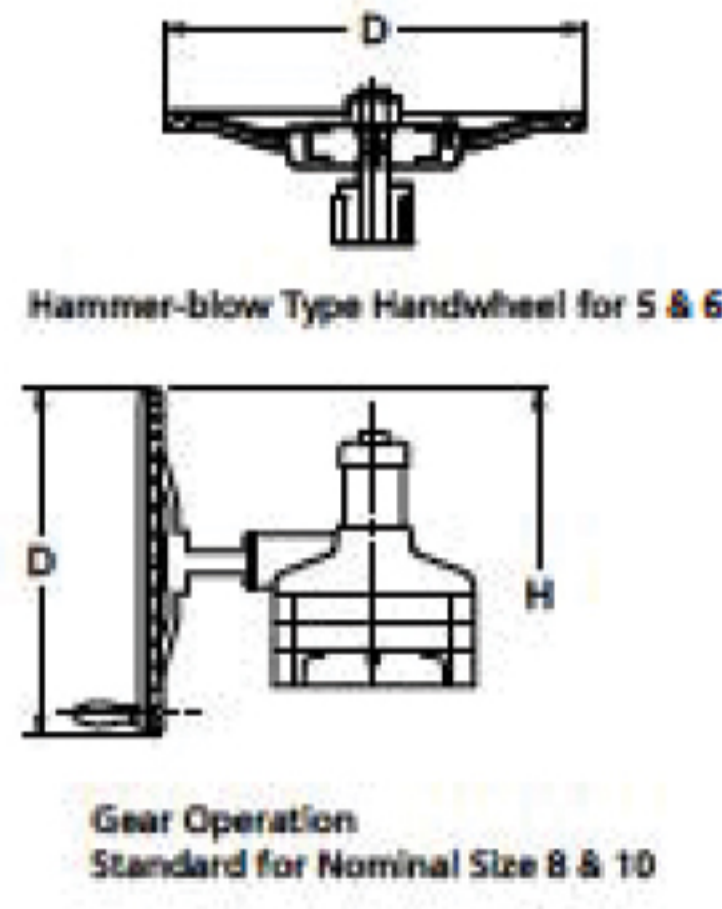


**Class 300**

**GLOBE VALVE**

Pressure-Temperature Rating: ASME B16.34

**300UPAM**



**Materials**

Parts	300UPA	300UPAM
Body	CF8	CF8M
Bonnet	CF8	CF8M
Stem	304	316
Disc	1/2 to 1 1/2 2 to 10	316 CF8M
Gland	304	316
Gland flange	CF8	
Gland packing	Refer to Page 10	
Gasket	Refer to Page 10	
Yoke bush	Ductile Ni-resist	
Handwheel	Ductile iron	
Gland bolt/nut	B8/8	
Gland bolt pin	403	
Bonnet bolt/nut	B8/8	
Name plate	Aluminum	

Note: Body seats and/or disc seats can be optionally hard-faced.  
Hammer-blow type handwheel for size 5 and 6

Items	
Face to face dimensions	ASME B16.10 Class 300
End flange dimensions	ASME B16.5 Class 300
Wall thickness	ASME B16.34 Class 300

Nominal Size		1/2	3/4	1	1 1/2	2	2 1/2	3	4	5	6	8	10
			15	20	25	40	50	65	80	100	125	150	200
<b>L</b>	in.	5.99	7.01	7.99	9.02	10.5	11.5	12.5	14.0	15.8	17.5	22.0	24.5
	mm	152	178	203	229	267	292	318	356	400	444	559	622
<b>H (open)</b>	in.	7.24	7.17	7.28	9.21	11.3	11.6	13.4	15.6	19.4	22.2	34.4	41.3
	mm	184	182	185	234	286	295	341	396	492	563	874	1048
<b>D</b>	in.	3.94	3.94	3.94	6.30	7.09	7.87	9.84	11.8	13.8	15.8	19.7	23.6
	mm	100	100	100	160	180	200	250	300	350	400	500	600